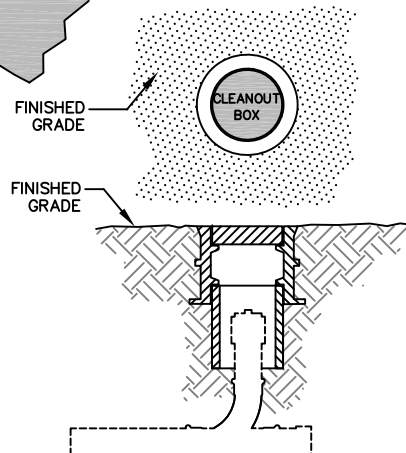
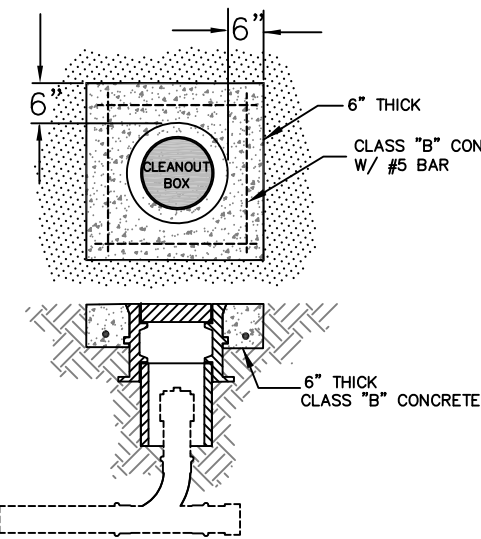


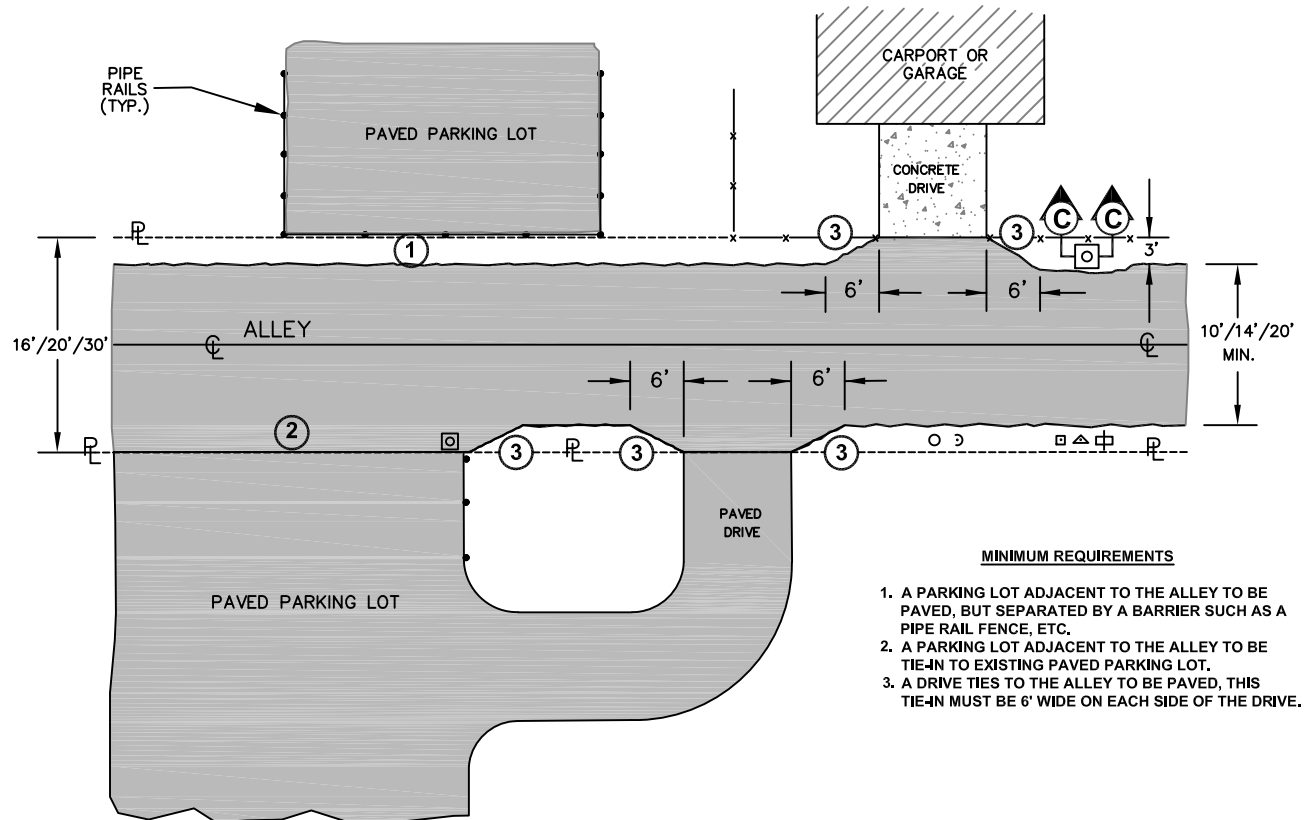
TWO OR MORE (CLUSTERED) UTILITY STRUCTURE TWO FEET (2') APART OR CLOSER
SECTION "A-A"



STANDARD SERVICE CLEANOUT DETAIL UNPAVED

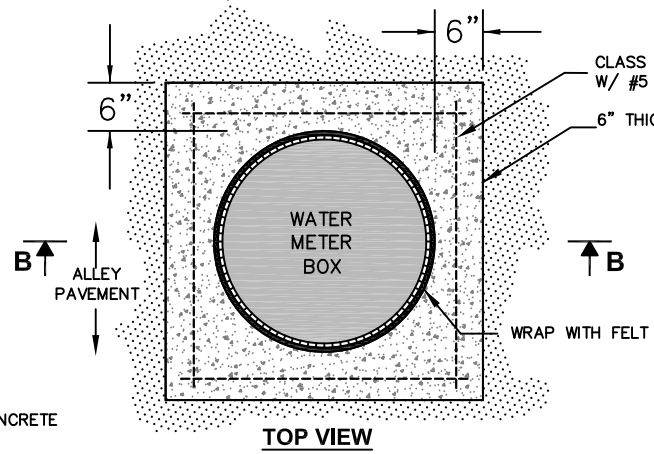


STANDARD SERVICE CLEANOUT DETAIL PAVED

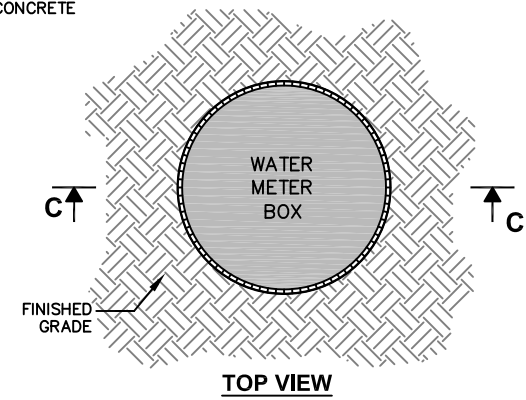


MINIMUM REQUIREMENTS

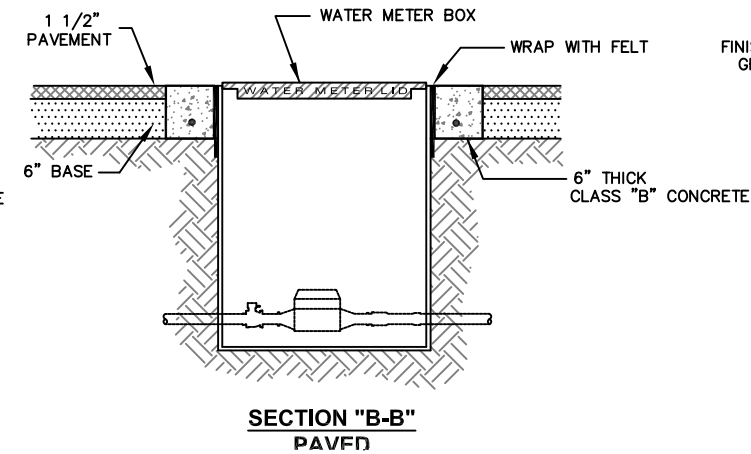
1. A PARKING LOT ADJACENT TO THE ALLEY TO BE PAVED, BUT SEPARATED BY A BARRIER SUCH AS A PIPE RAIL FENCE, ETC.
2. A PARKING LOT ADJACENT TO THE ALLEY TO BE TIE-IN TO EXISTING PAVED PARKING LOT.
3. A DRIVE TIES TO THE ALLEY TO BE PAVED, THIS TIE-IN MUST BE 6' WIDE ON EACH SIDE OF THE DRIVE.



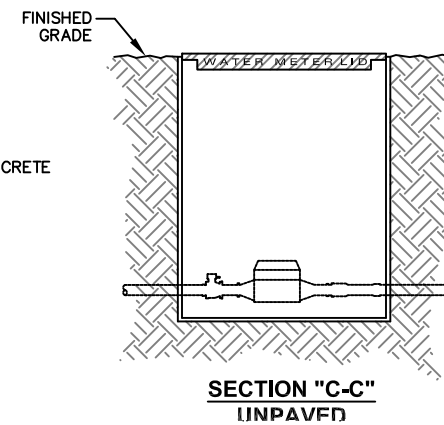
TOP VIEW



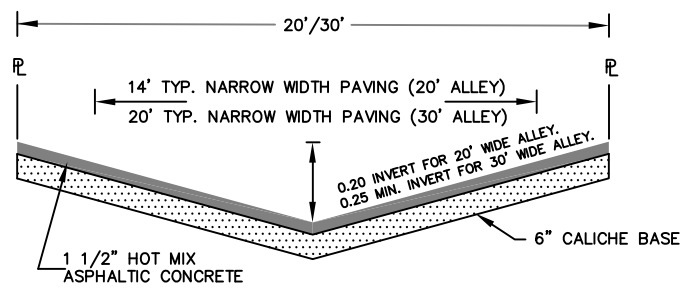
TOP VIEW



SECTION "B-B" PAVED



SECTION "C-C" UNPAVED



TYPICAL ASPHALTIC PAVED ALLEY CROSS SECTION