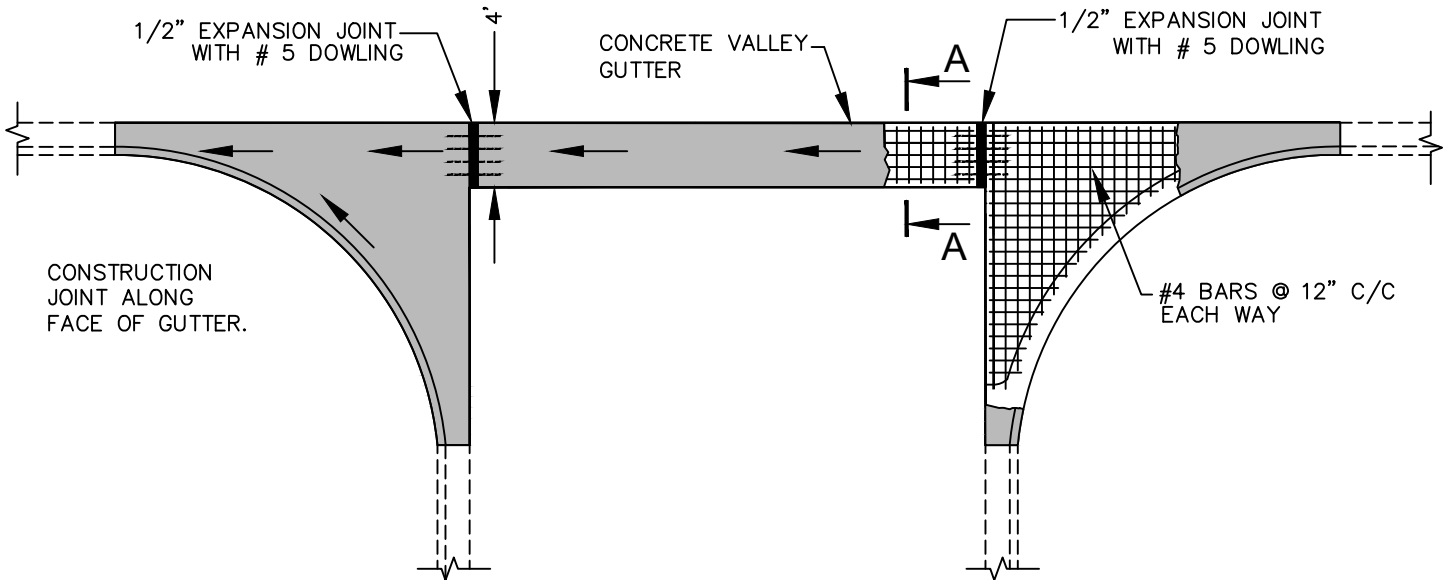


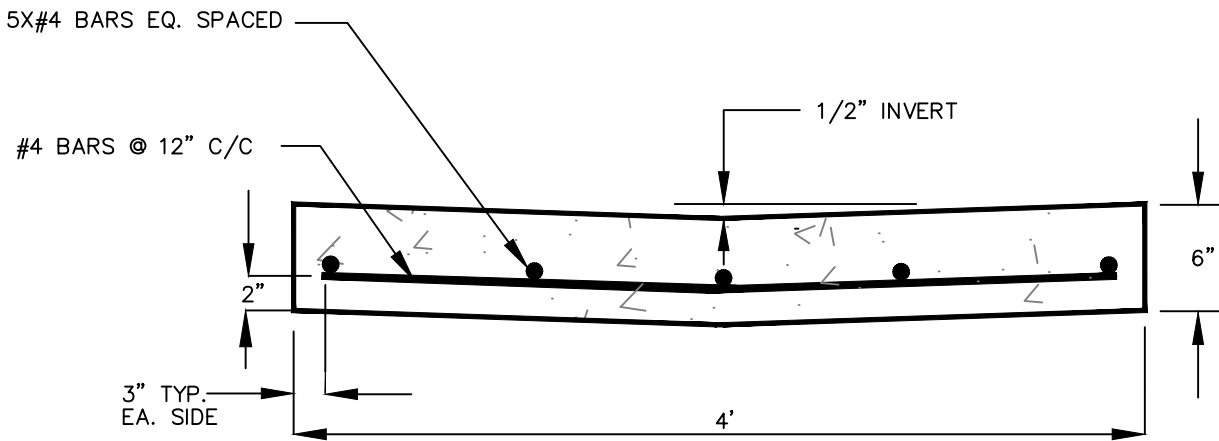
CONCRETE VALLEY GUTTER DETAILS



SURFACE OF INTERSECTION TO BE SLOPED AND SHAPED TO DIRECT FLOW TO GUTTER LINES. LAYDOWN GUTTER LIPS ACROSS GUTTER FLOW LINES. VALLEY GUTTER SECTION TO BE POURED BEFORE CALICHE COURSE IS COMPLETE.

CONCRETE VALLEY GUTTER

SCALE: N.T.S.



SECTION A-A

SCALE: N.T.S.