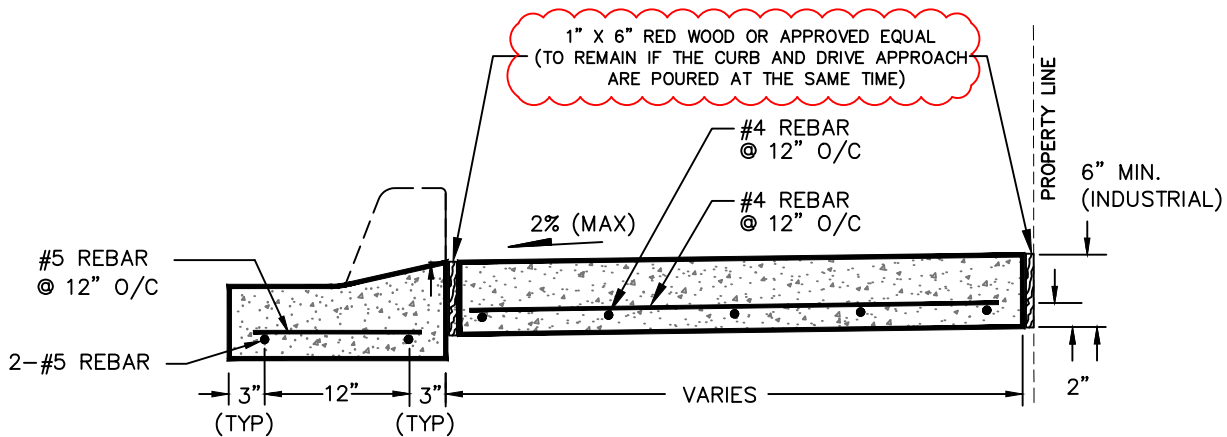
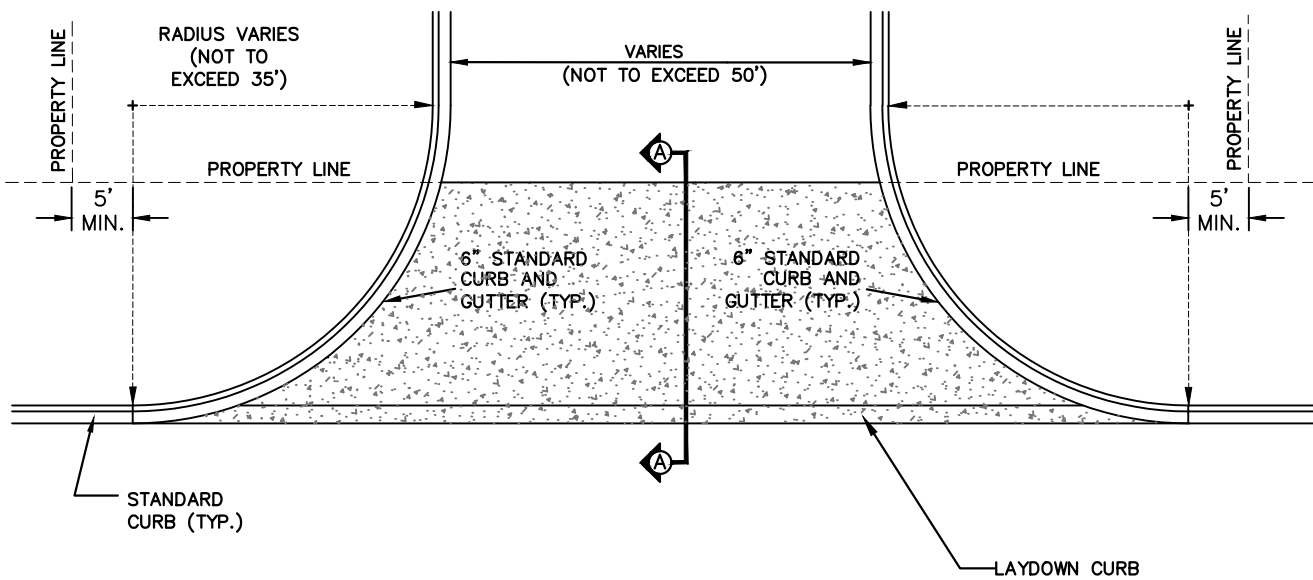


INDUSTRIAL DRIVEWAY APPROACH

NOTES:

1. SHALL MEET ALL OTHER REQUIREMENTS OF RIGHT- OF- WAY ORDINANCE FOR DRIVE APPROACHES.



INDUSTRIAL DRIVE APPROACH DETAIL
 SECTION A - A