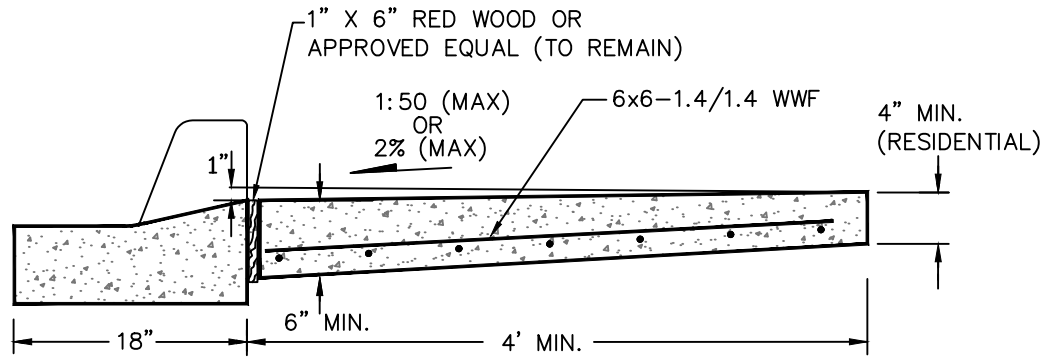
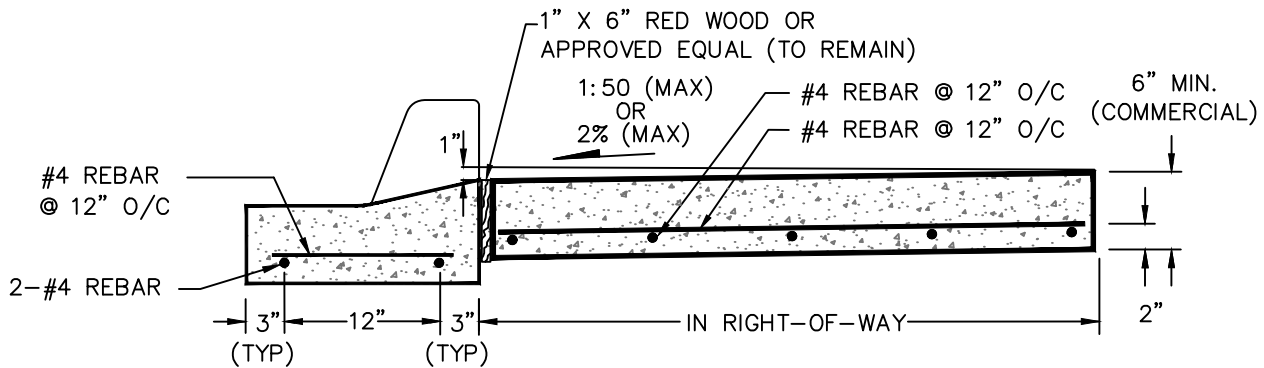


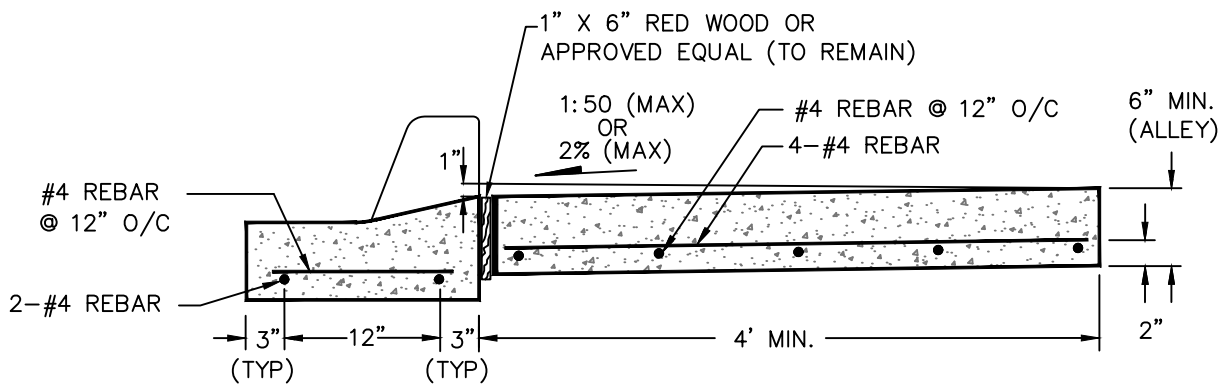
## NEW RESIDENTIAL, COMMERCIAL AND ALLEY DRIVE APPROACH CROSS SECTIONS



RESIDENTIAL DRIVE APPROACH DETAIL



COMMERCIAL DRIVE APPROACH DETAIL



ALLEY DRIVE APPROACH DETAIL

DRAWN BY: MS/SO  
 DATE: DEC., 2020  
 SCALE: N.T.S.